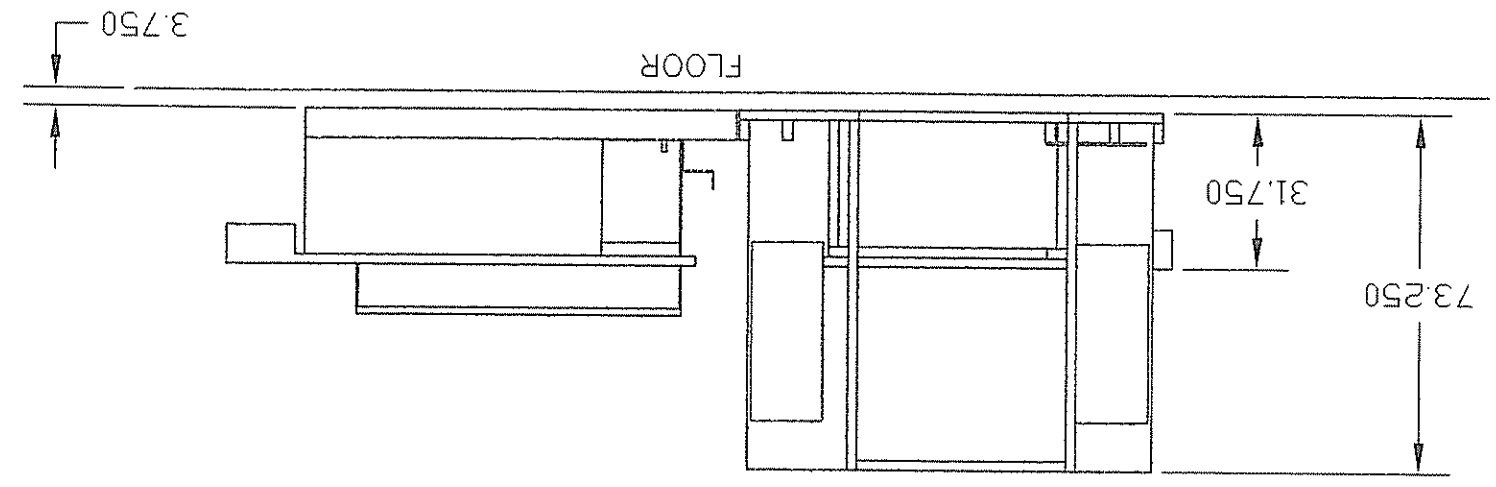
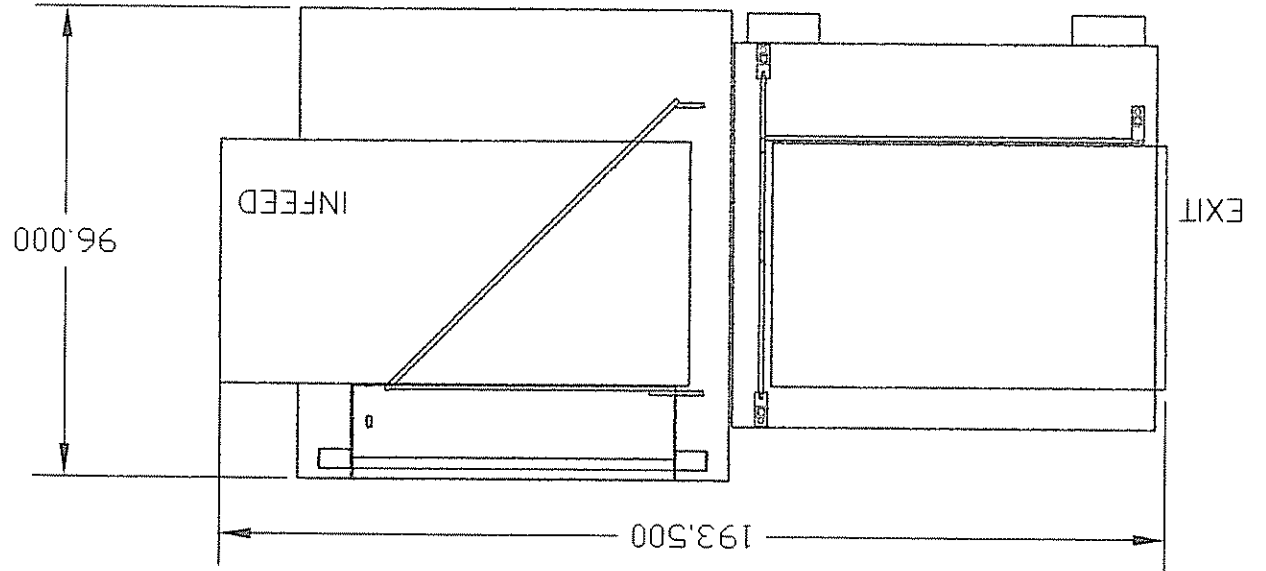


REV	DESCRIPTION	DATE	APPROVED



Title EASTLEY ENTERPRISES AUTO SEALER 50 x 70		Tolerance ±.010 (UNLESS SPECIFIED)	Scale 1:36	Material N/A	Part Numbers EA5070	Drawn By TROY S.	CHK By Date 7-10-07	Part size 0.000 x 0.000
ALL DIMENSIONS ARE IN INCHES		ALL TOLERANCES TO BE ±.01 UNLESS OTHERWISE SPECIFIED		FINISH - NONE				