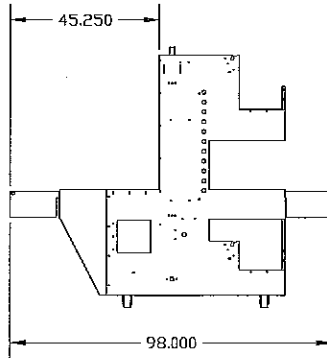
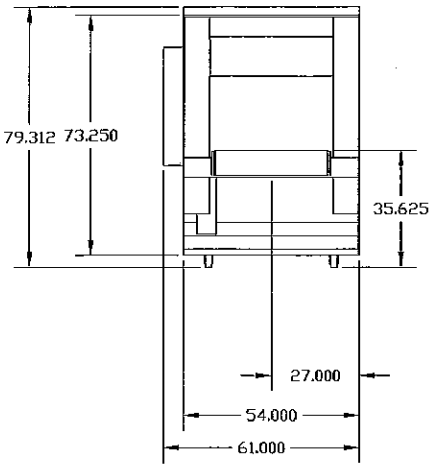
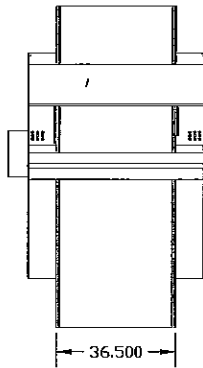


REV DESCRIPTION		REVISIONS	DATE	APPROVED



EASTEY ENTERPRISES		Title	
Tolerance		EB35A	BELT IN BELT OUT
± 0.10 (UNLESS SPECIFIED)	Scale	Material	
	1:26	N/A	
Drafter		Part Numbers	
TROY S.		EB35A	
CHK By	Date	Part size	
	12-14-05	0.000 x 0.000	