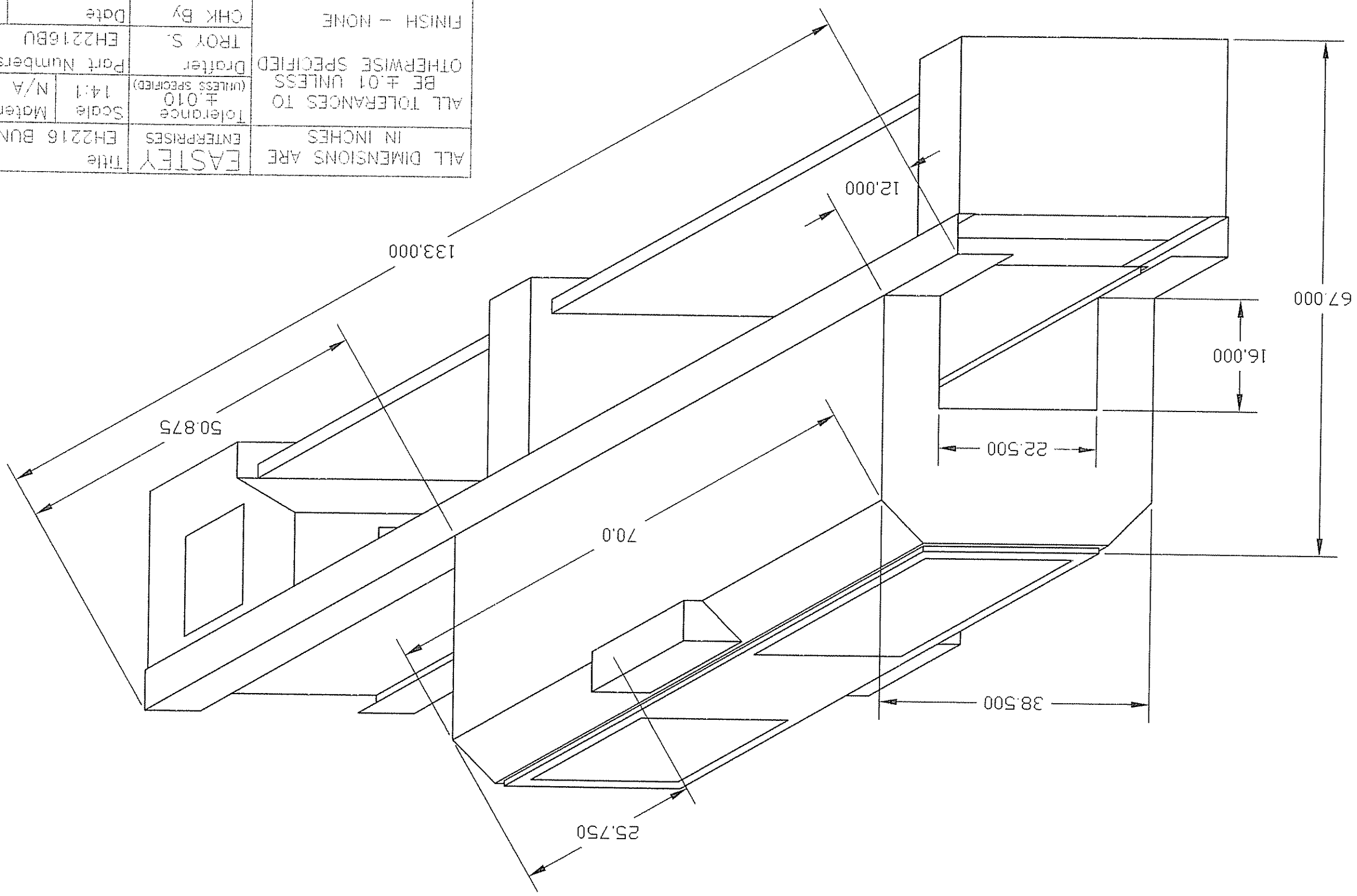


|              |               |                        |  |
|--------------|---------------|------------------------|--|
| Title        |               | EH2216 BUNDLING TUNNEL |  |
| ENTERPRISES  |               |                        |  |
| Tolerance    | ±.010         | (unless specified)     |  |
| Drafter      | TROY S.       |                        |  |
| Part Numbers | EH2216BU      |                        |  |
| CHK By       | 3-4-08        |                        |  |
| Date         | 3-4-08        |                        |  |
| Part size    | 0.000 x 0.000 |                        |  |



ALL DIMENSIONS ARE IN INCHES  
 ALL TOLERANCES TO BE ±.01 UNLESS OTHERWISE SPECIFIED  
 FINISH - NONE

| REV | DESCRIPTION | DATE | APPR |
|-----|-------------|------|------|
|     |             |      |      |
|     |             |      |      |
|     |             |      |      |

REVISIONS