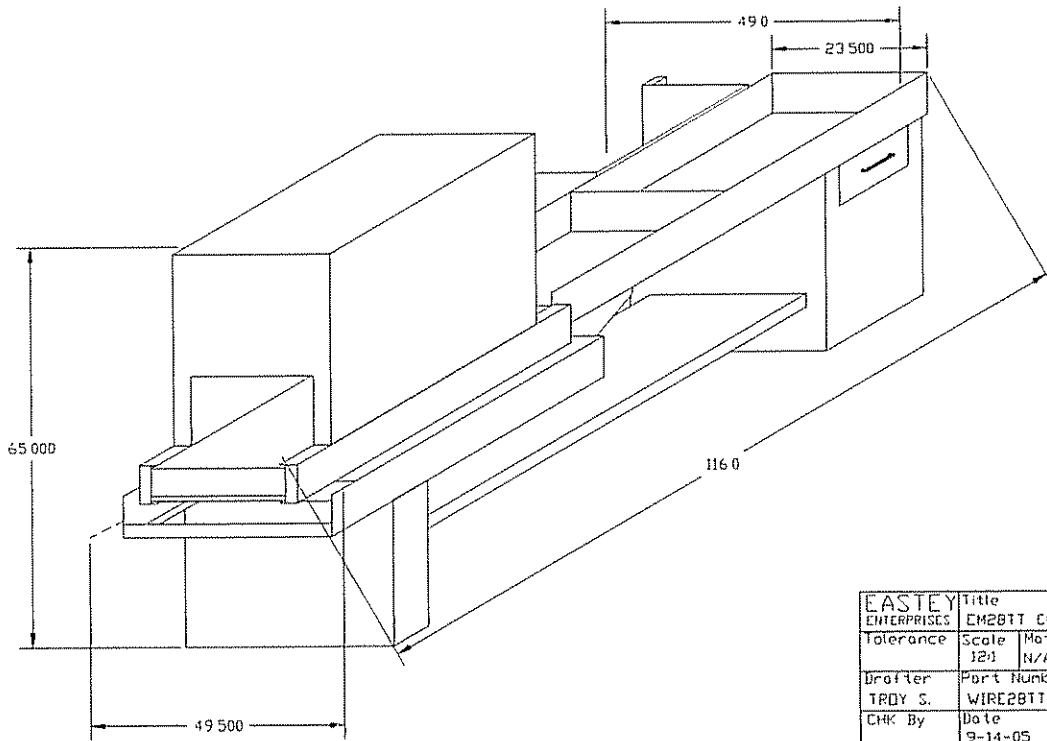


| REV | DESCRIPTION | REVISIONS | DATE | APPROVED |
|-----|-------------|-----------|------|----------|
| | | | | |
| | | | | |
| | | | | |



| | | |
|-------------|--------------------------------|---------------|
| EASTEY | Title | |
| ENTERPRISES | EM2811 COMBO WITH POWER UNWIND | |
| Tolerance | Scale | Material |
| | I2J | N/A |
| Drafter | Part Numbers | |
| TRDY S. | WIRE2811PU | |
| CHK By | Date | Part size |
| | 9-14-05 | 0.000 x 0.000 |