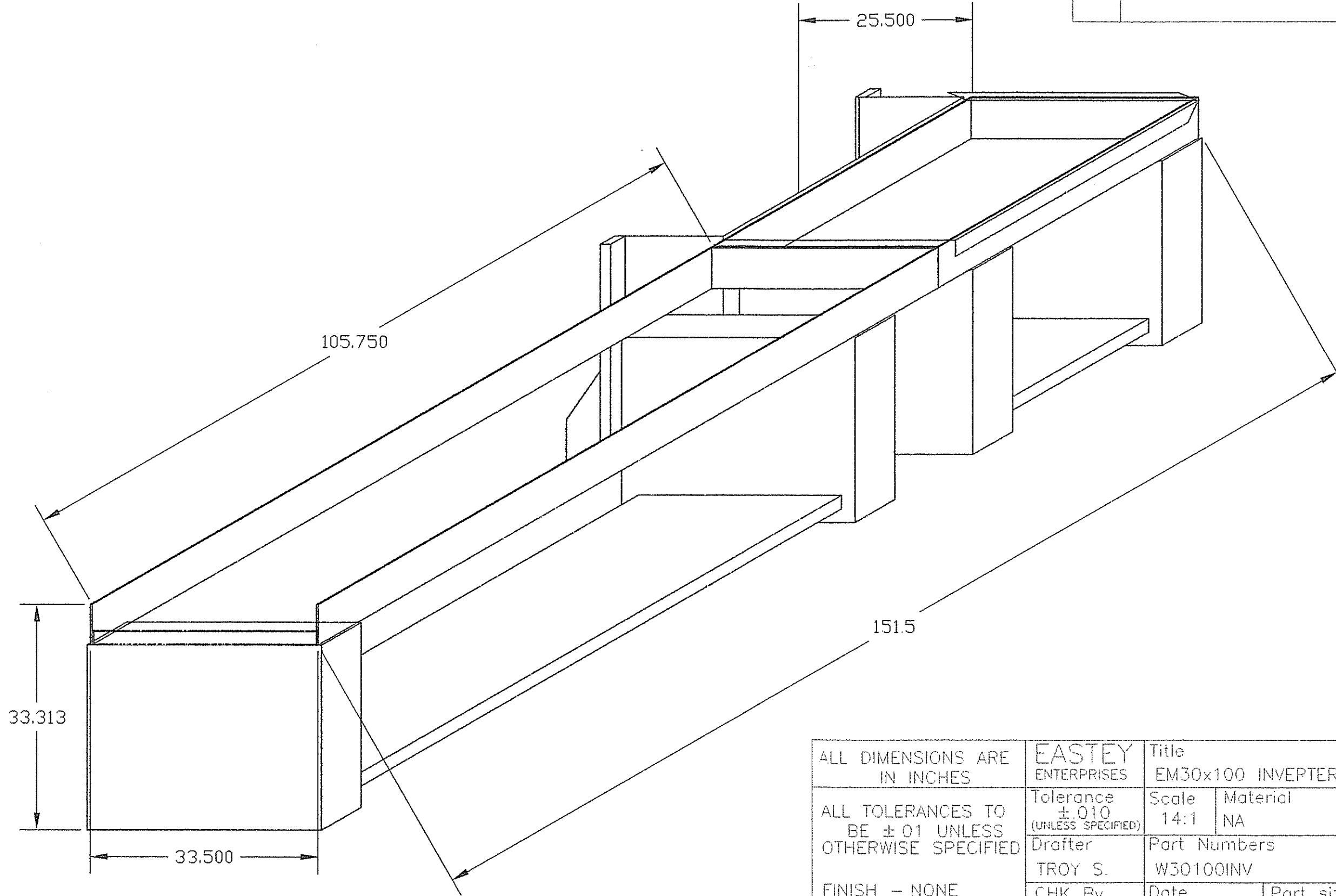


REV DESCRIPTION		REVISIONS		DATE	APPROVED



ALL DIMENSIONS ARE IN INCHES	EASTEY ENTERPRISES	Title EM30x100 INVERTER WITH SHORT INFEED	
ALL TOLERANCES TO BE ± 01 UNLESS OTHERWISE SPECIFIED	Tolerance ± 010 (UNLESS SPECIFIED)	Scale 14:1	Material NA
FINISH - NONE	Drafter TROY S.	Part Numbers W30100INV	
	CHK By	Date 6-7-05	Part size 0 000 x 0 000