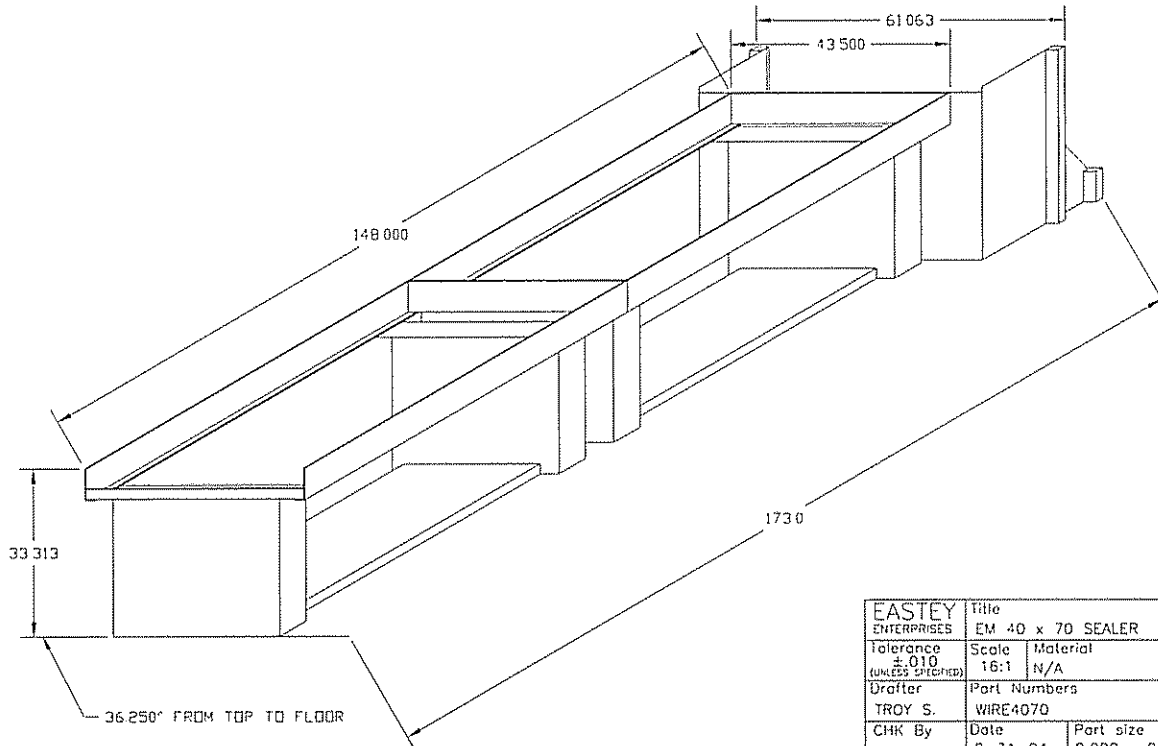


REV	DESCRIPTION	REVISIONS	DATE	APPROVED



EASTEY ENTERPRISES		Title	
EM 40 x 70 SEALER		EM 40 x 70 SEALER	
Tolerance ± 0.10 (UNLESS SPECIFIED)	Scale 16:1	Material N/A	
Drafter TROY S.		Part Numbers WIRE4070	
CHK By	Date 8-31-04	Part size 0.000 x 0.000	