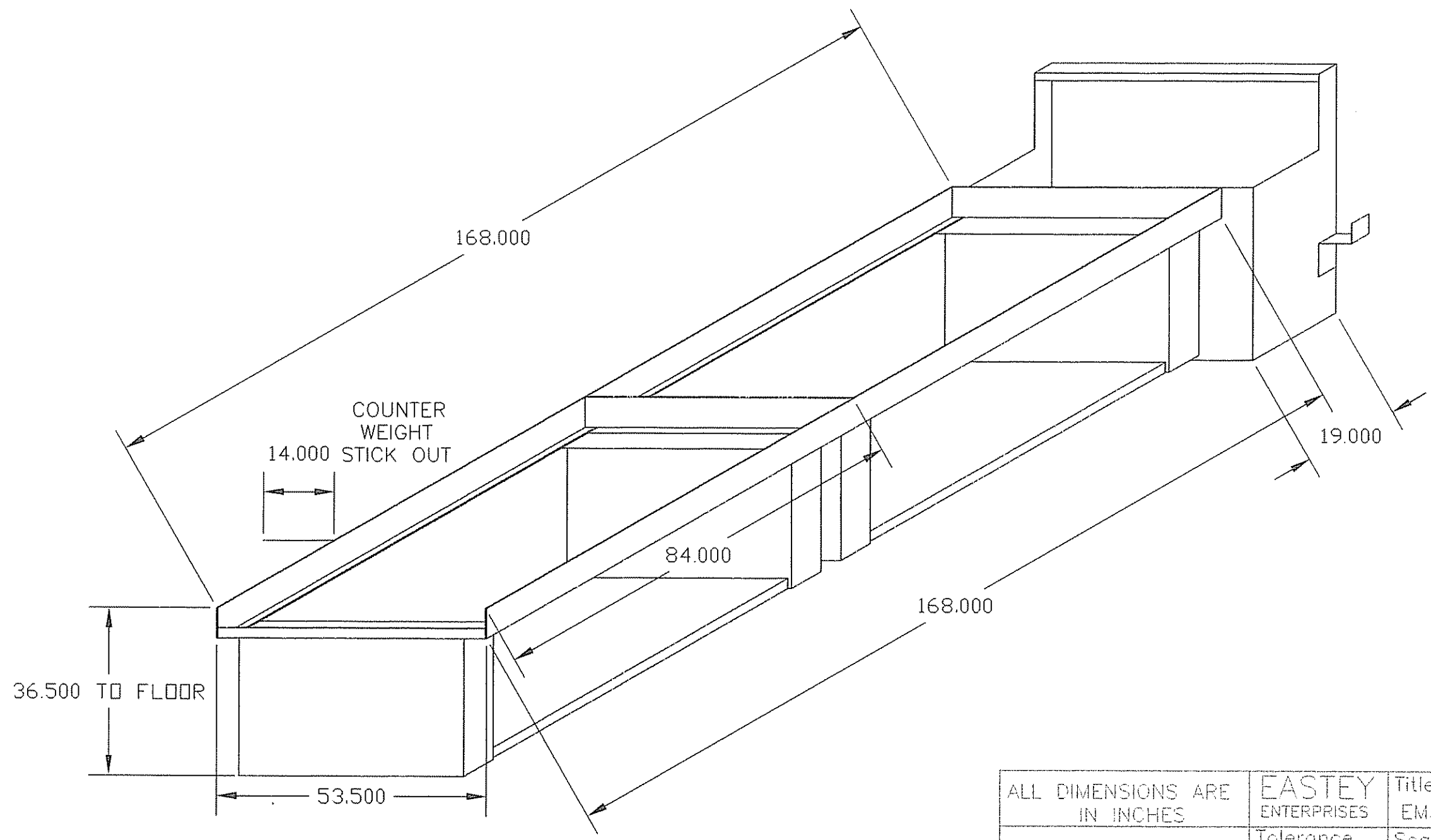


REVISIONS		DATE	APPROVED
REV	DESCRIPTION		



ALL DIMENSIONS ARE IN INCHES	EASTEY ENTERPRISES	Title EM50x80 SEALER WITH SPECIAL UNWIND	
ALL TOLERANCES TO BE ±.01 UNLESS OTHERWISE SPECIFIED	Tolerance ±.010 (UNLESS SPECIFIED)	Scale 1:22	Material N/A
FINISH - NONE	Drafter TROY S.	Part Numbers WIRE5080SPUNWIND	
	CHK By	Date 5-28-08	Part size 0.000 x 0.000