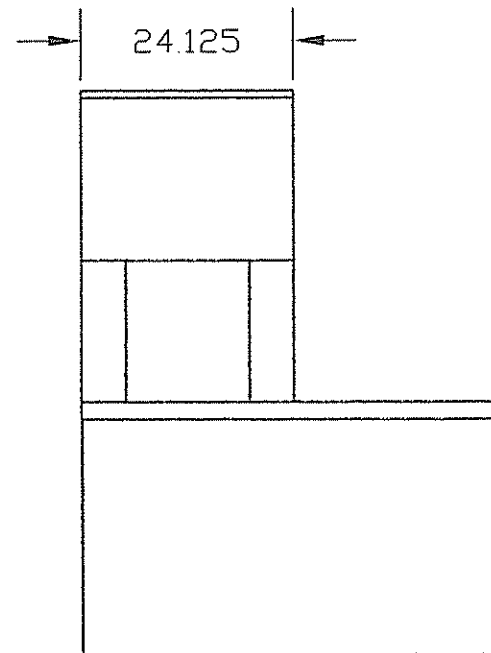
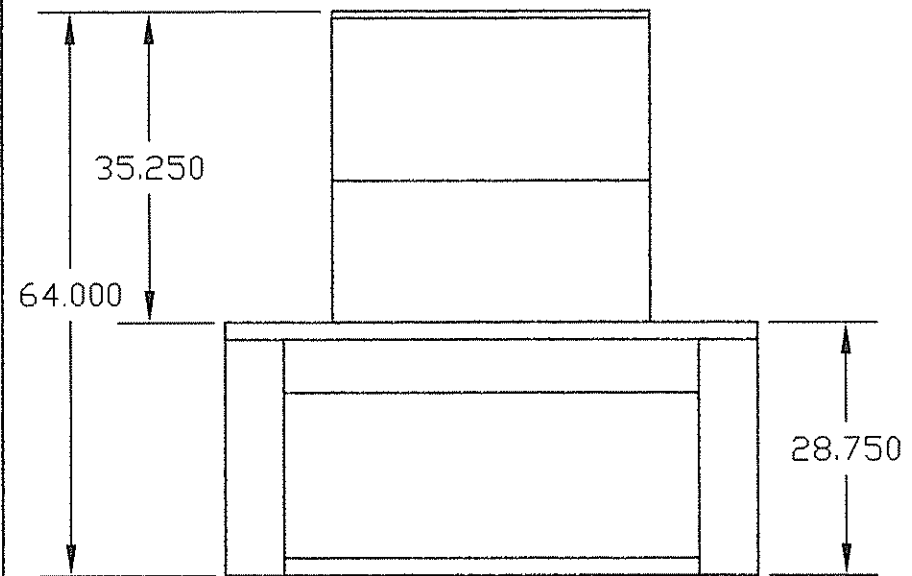
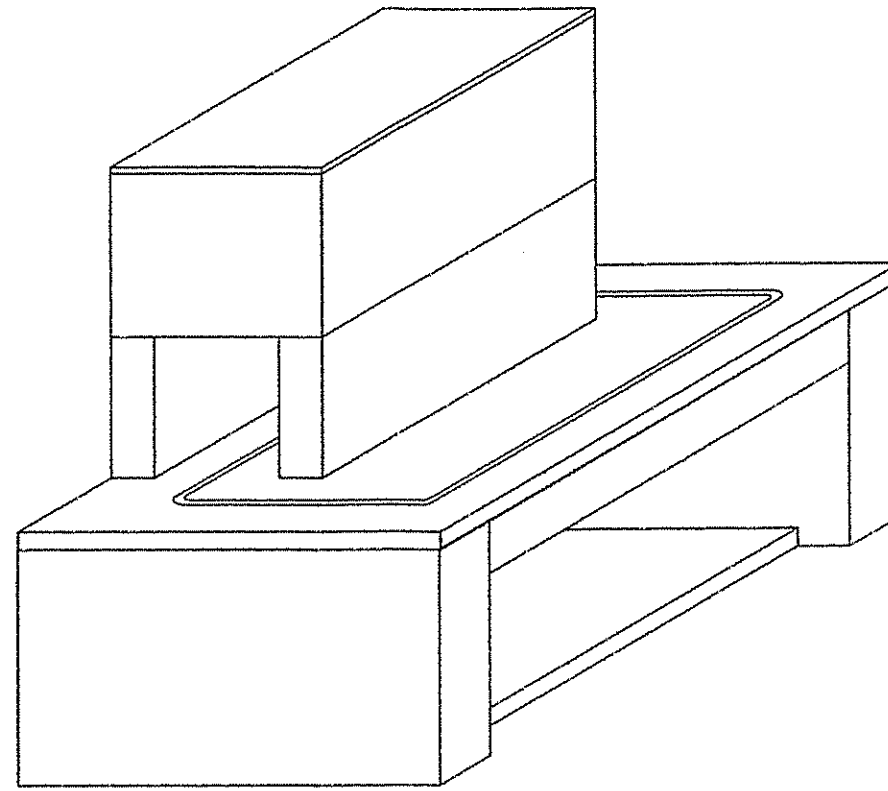
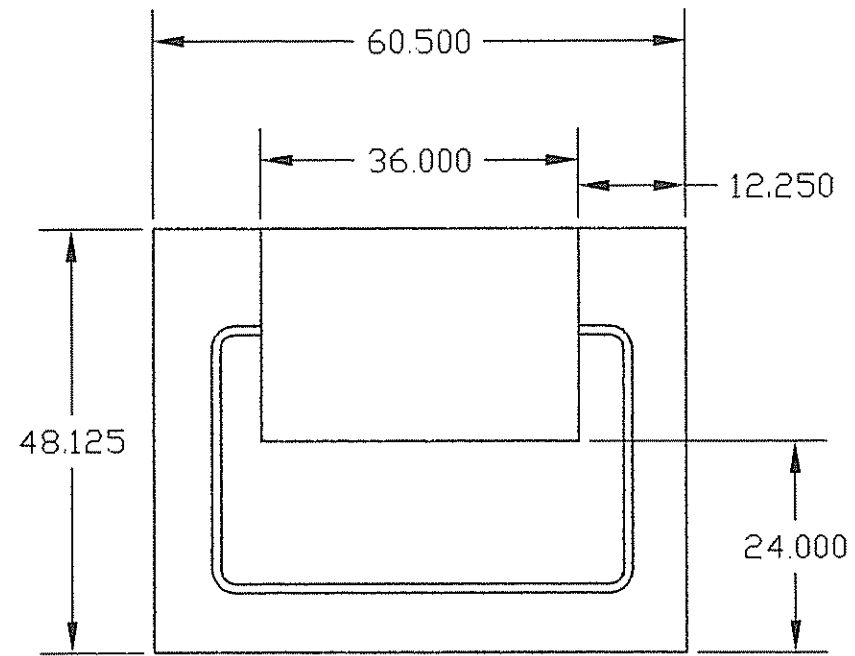


REVISIONS

REV	DESCRIPTION	DATE	APPROVED



ALL DIMENSIONS ARE IN INCHES	EASTEY ENTERPRISES	Title CHOO CHOO 1610-36	
ALL TOLERANCES TO BE ±.01 UNLESS OTHERWISE SPECIFIED	Tolerance ±.010 (UNLESS SPECIFIED)	Scale 1:20	Material N/A
	Drafter TROY S.	Part Numbers CHOCHO1610-36	
FINISH - NONE	CHK By	Date 12-1-05	Part size 0.000 x 0.000