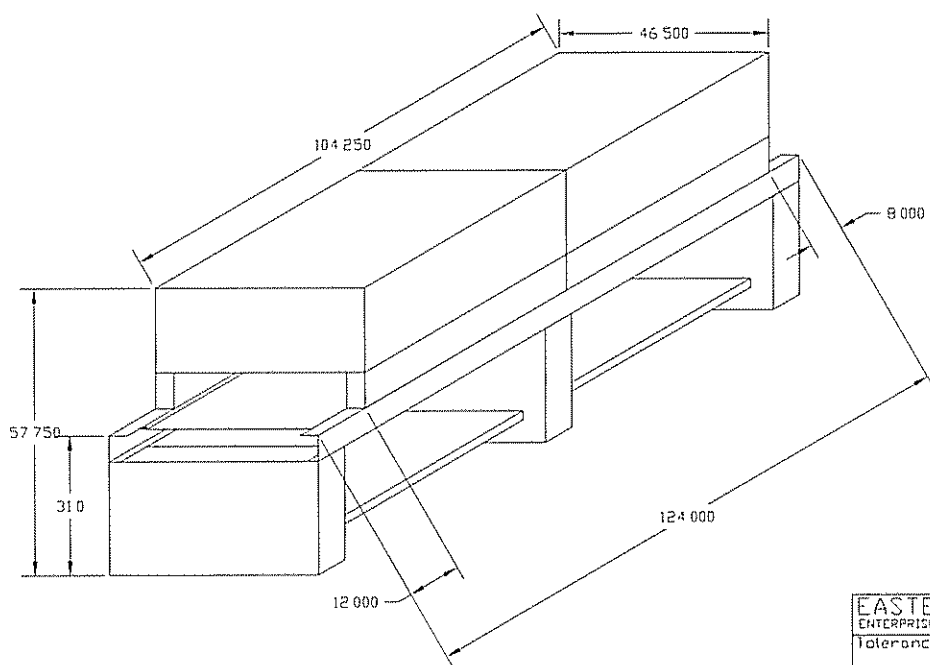


REV	DESCRIPTION	REVISIONS	DATE	APPROVED



EASTEY ENTERPRISES	Title	ET3608 TUNNEL DOUBLE HOODS	
Tolerance	Scale	Material	
	1:81		
Drafter	Part Numbers		
TRDY,S	W360800BH000		
CHK By	Date	Part size	
	6-7-05	0.000 x 0.000	