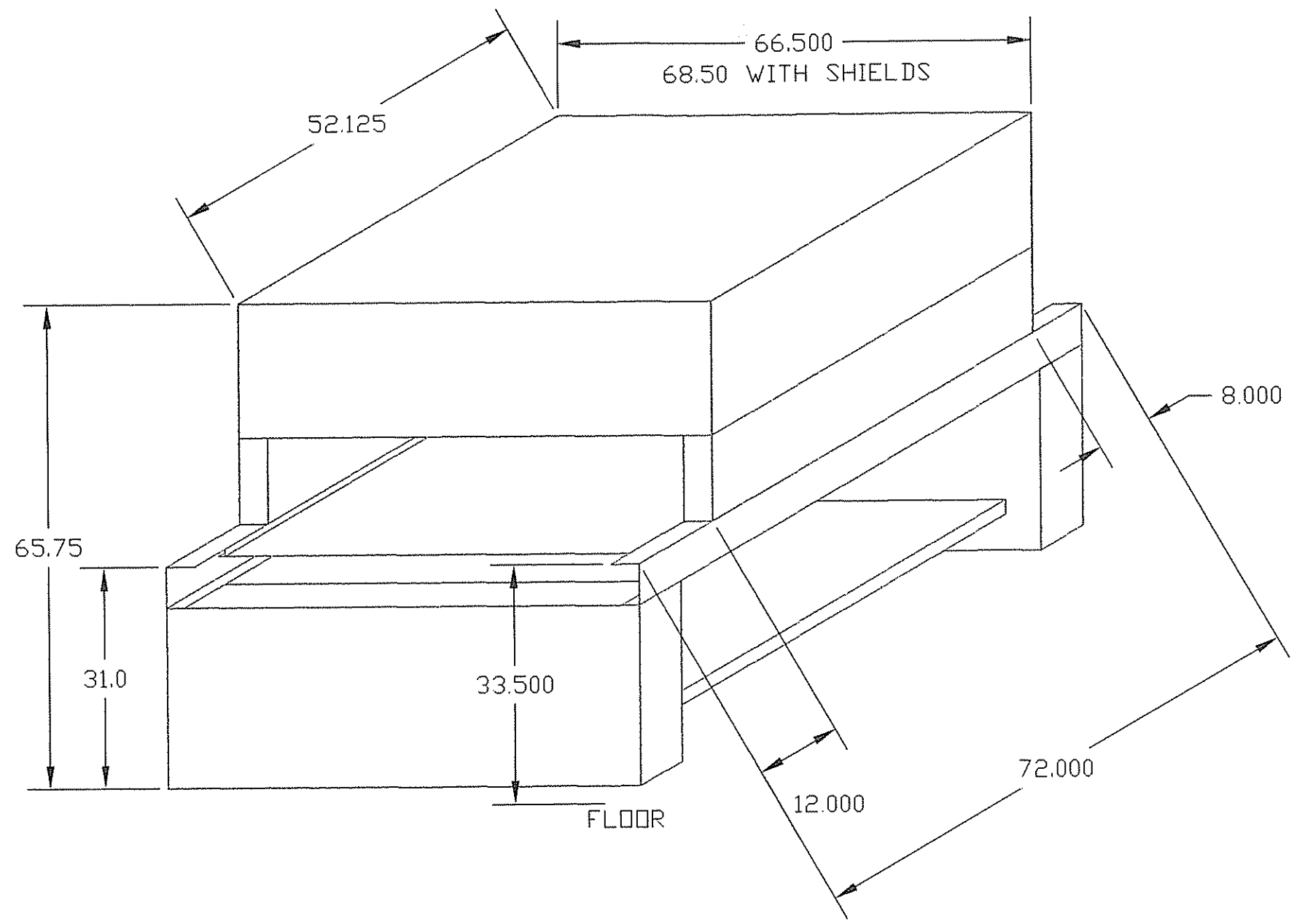


REV	DESC	REVISIONS	DATE	APPRVED



EASTEY ENTERPRISES	Title WIRE FRAME OF ET5612 TUNNEL	
Tolerance	Scale 18:1	Material
Drafter TROY,S	Part Numbers WIRE5612	
CHK By	Date 3-3-06	Part size 0.000 x 0.000