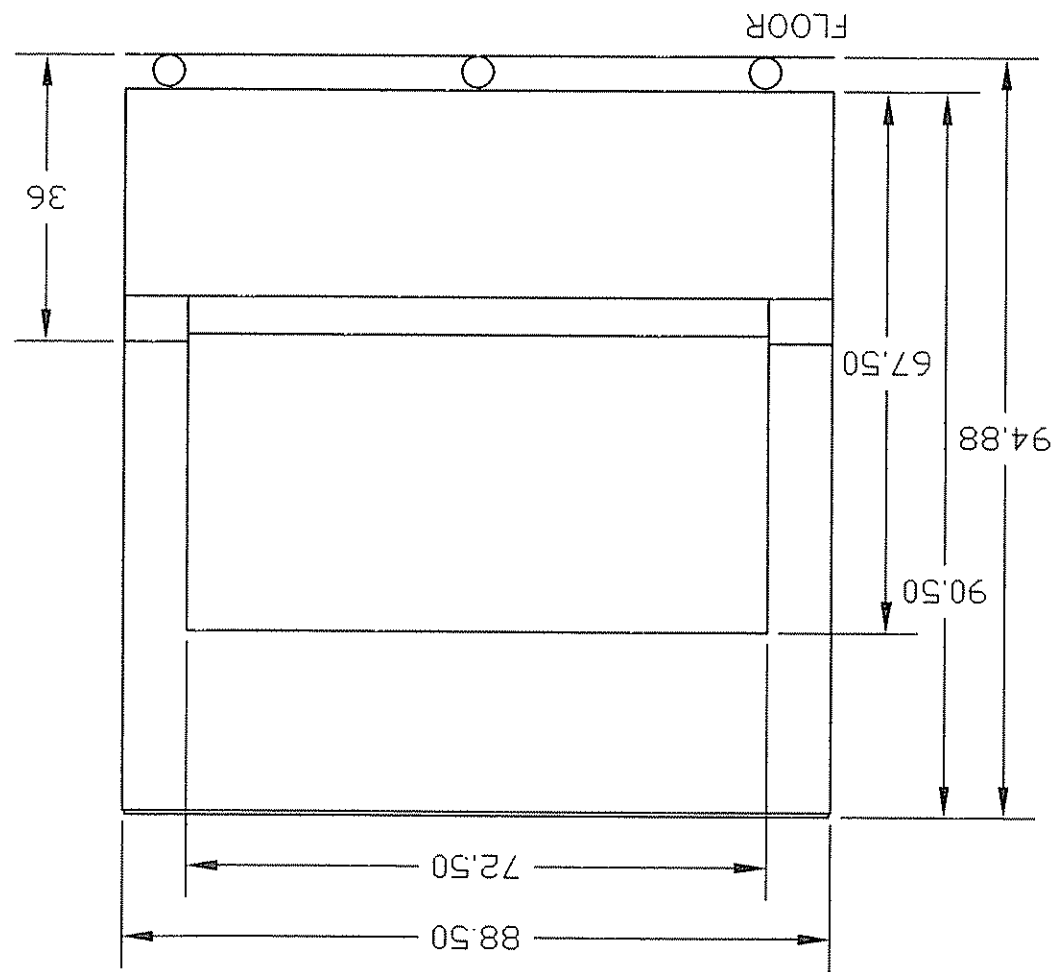
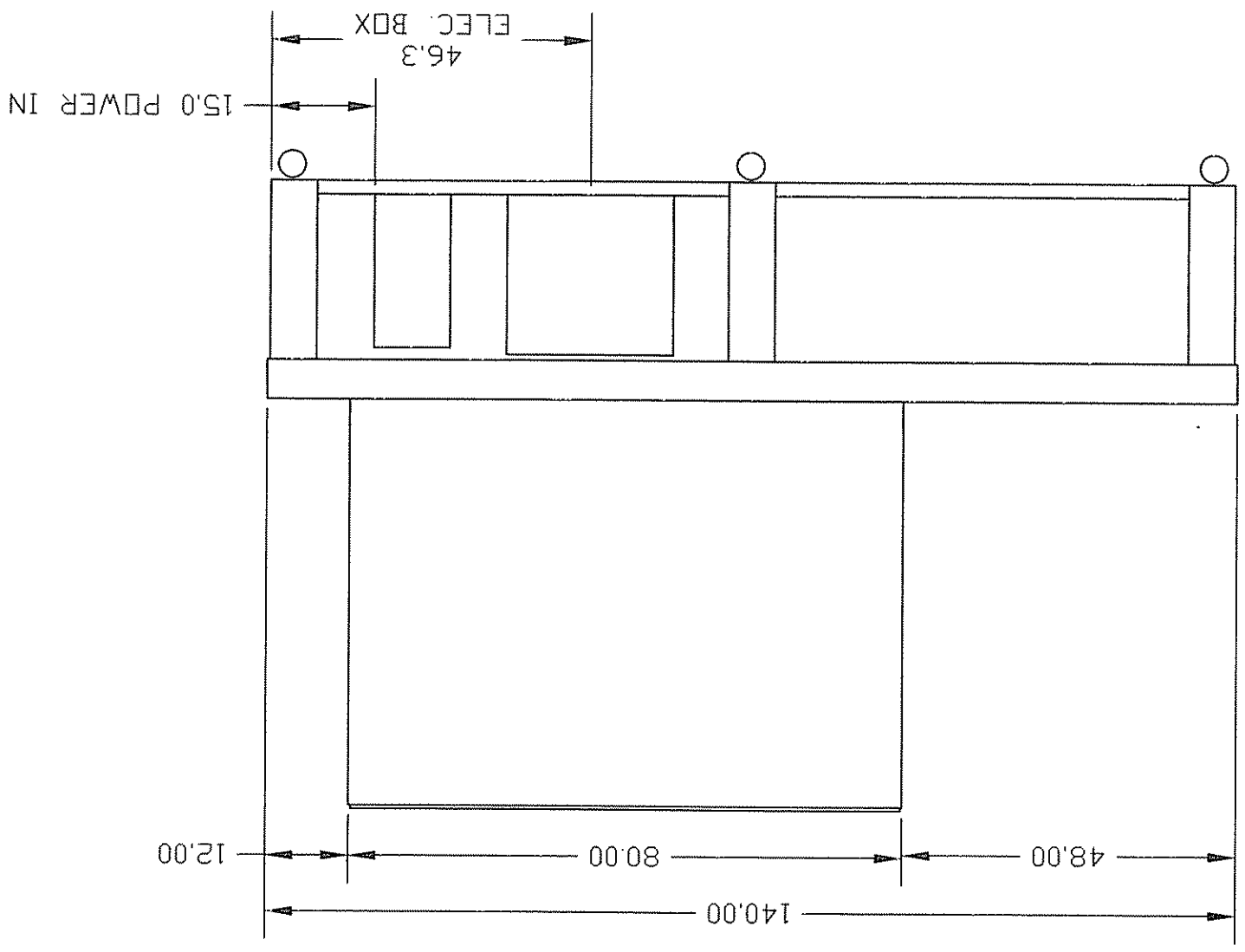


ALL DIMENSIONS ARE IN INCHES		EASTY		Title	
ALL TOLERANCES TO BE ± 0.1 UNLESS OTHERWISE SPECIFIED		Tolerance ± 0.10 (UNLESS SPECIFIED)		Scale 1:22	
Drafter TROY S.		Part Numbers WET7036BU		Material N/A	
FINISH - NONE		CHK BY		Date 10-11-07	
				Part size 0.000 x 0.000	



REV	DESCRIPTION	DATE	APPROVED